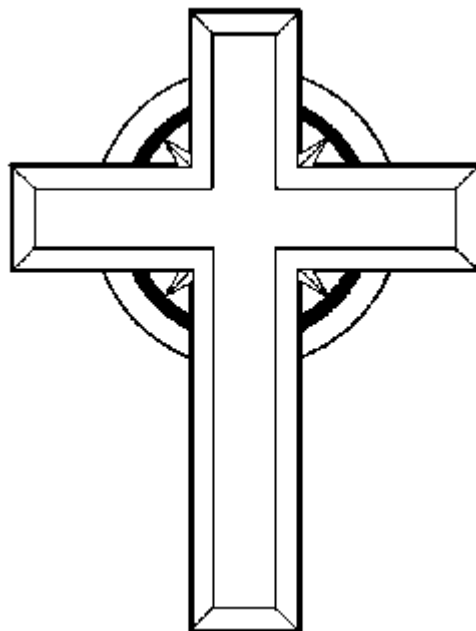


5th Hull BB

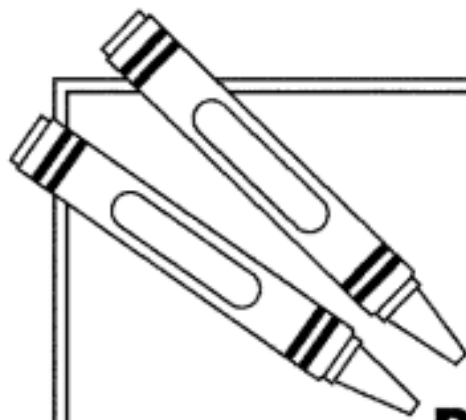
Bible Puzzles

Yr 6 Badge

Work



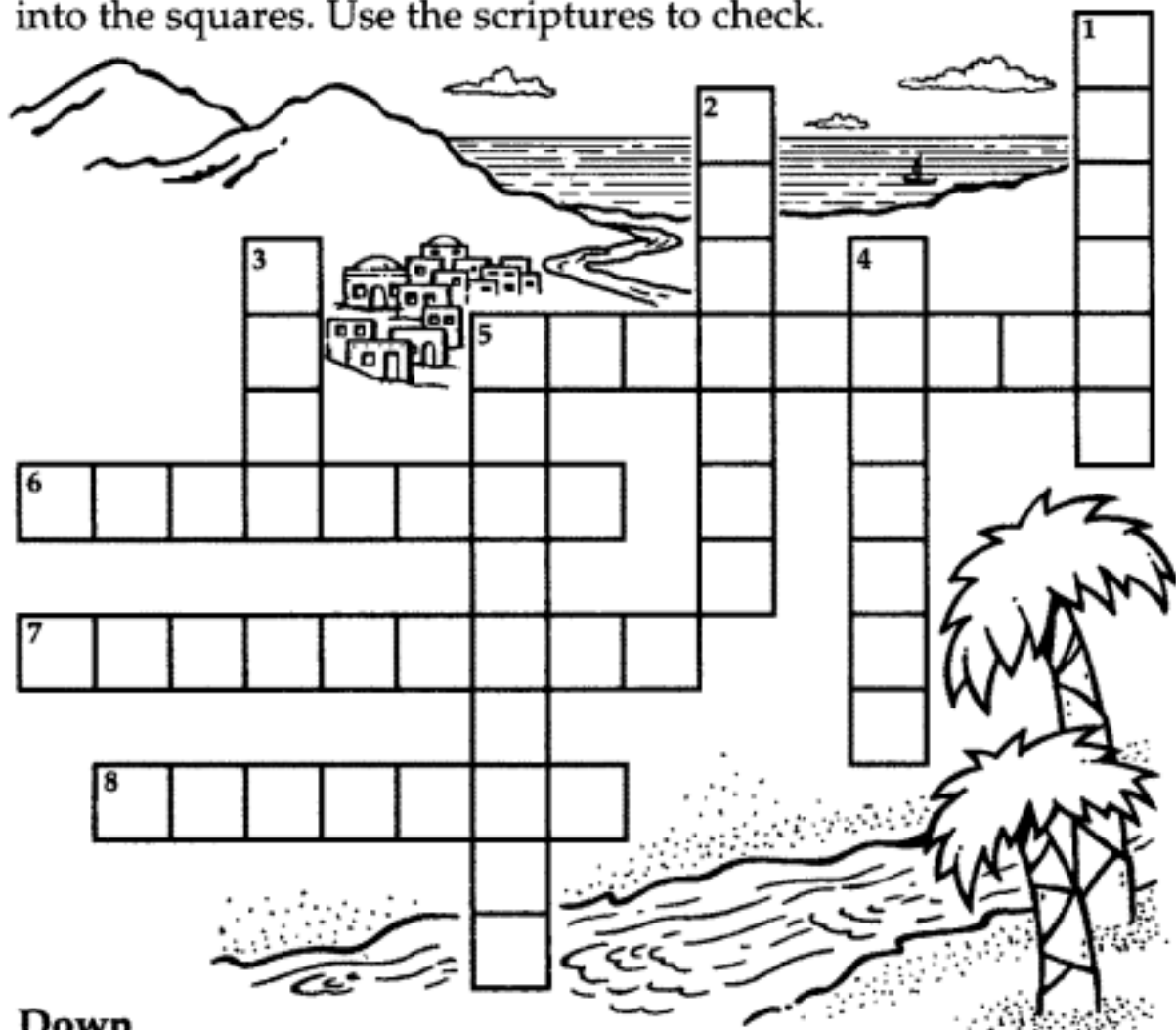
Name _____



Just for **KIDS**

Places in Jesus' life

Find these important places in the life of Jesus. Fit them into the squares. Use the scriptures to check.

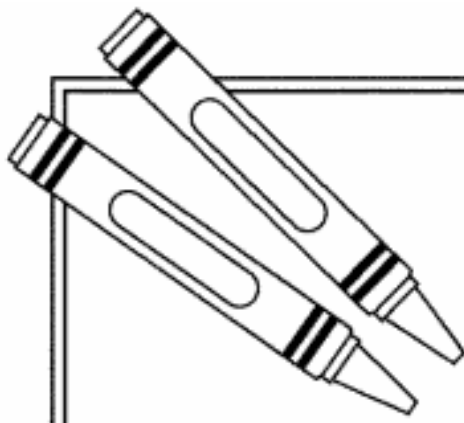


Down

1. The river where Jesus was baptized. (Matthew 3:13)
2. Where Jesus raised Lazarus from the dead. (John 11:1)
3. Where the first miracle was performed. (John 2:11)
4. Where Jesus called Philip to follow him. (John 1:43)
5. Where Jesus was born. (Luke 2:4)

Across

5. Where Jesus fed the 5000. (Luke 9:10)
6. Where Jesus grew up. (Luke 2:39)
7. Where Jesus went to the temple at age 12. (Luke 2:41)
8. Where Jesus talked to Zacchaeus. (Luke 19:1)



Just for **KIDS**

2 Corinthians 5:20

What can all of these people — found in the Bible or in life today — have in common?

Fit the words into the puzzle below. Write the letters from the special boxes to find the answer.

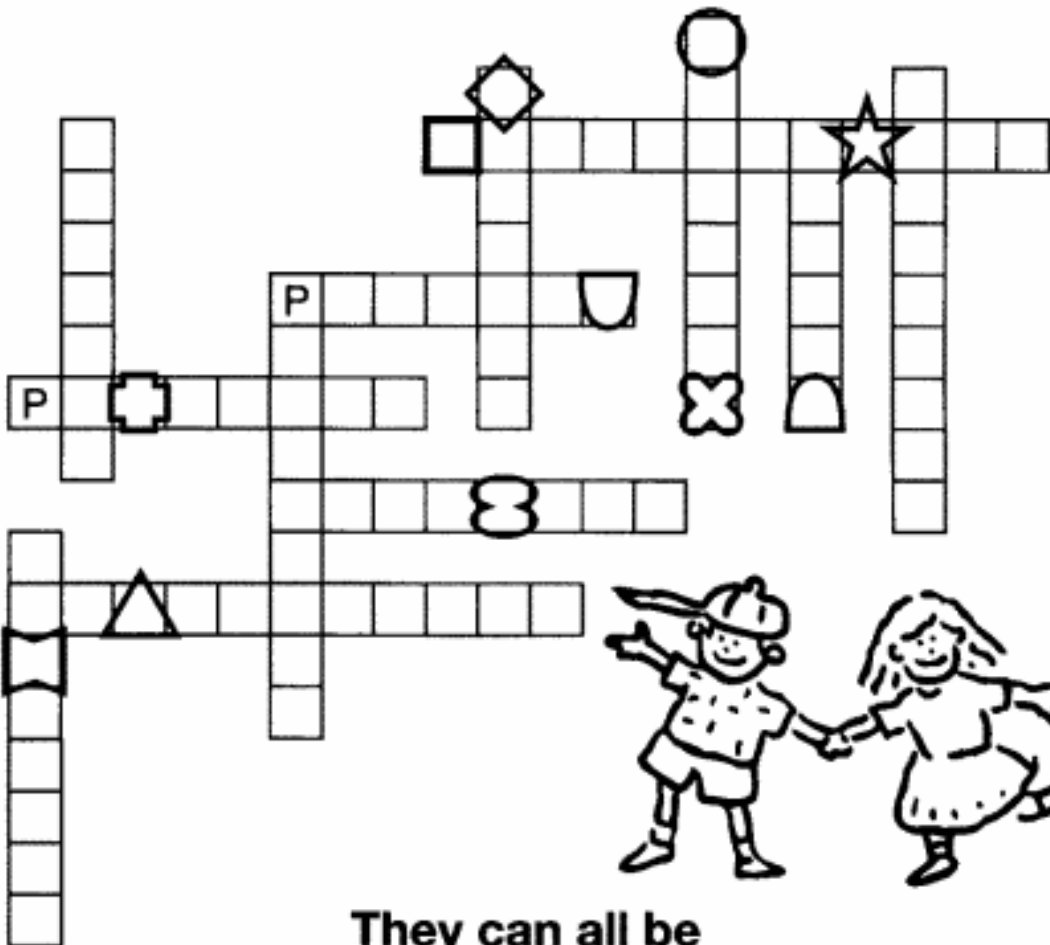


angels
bishops
pastors

prophets
teachers
singers

apostles
evangelists
children

preachers
ministers
missionaries

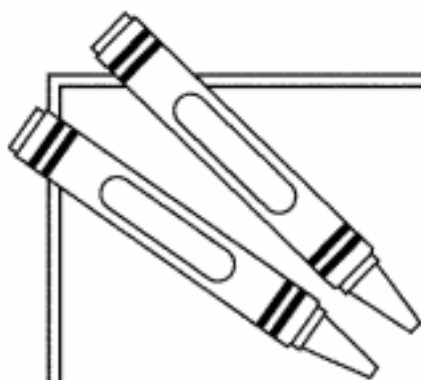


They can all be



for Christ!

2 Corinthians 5:20



Just for **KIDS**

**“The Lord will guide you always.
He will satisfy your needs in a
sun-scorched land...”**

Isaiah 58:11



Find the names of these Biblical plants.
Use the verses given if you have trouble.
Transfer the letters to the lines below to
find more of the verse above.

Purple fruit that grows on a vine
(Genesis 40:10,11)

1 2 3 4 5 6

A grain used in soup
(Hosea 3:2)

7 8 9 10 11 12

A grain used in bread-making
(Matthew 13:25)

13 14 15 16 17

Used for oil, or eaten
green or black
(Exodus 27:20)

18 19 20 21 22 23

Tree that bears acorns
(Genesis 35:8)

24 25 26

Yellow flowers are made into
sandwich spread
(Matthew 13:31,32)

27 28 29 30 31 32 33

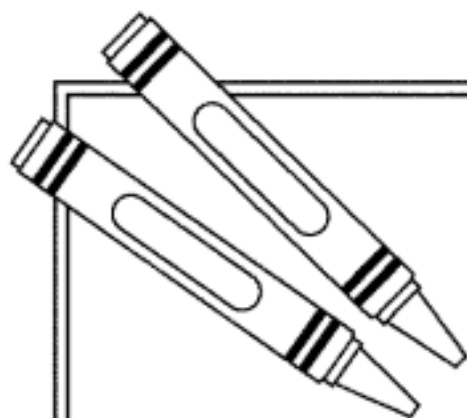
Used to flavor candy canes
(Luke 11:42)

34 35 36 37

Used in filling cookies
(Genesis 3:7)

38 39 40 41

“
12 18 28 13 20 10 10 7 5 10 20 26 5
3 13 5 10 10 13 3 17 5 2 5 33
1 3 2 33 5 36 10 20 26 5 8
6 4 2 20 36 1 13 14 18 6 5
13 3 17 5 2 6 36 5 21 5 9 38 3 20 10”



Just for **KIDS**

Worship

People gather to worship God in many different places. Church buildings have different names. But each church has many of the same things in the church building and many of the same parts in the worship service. We worship the same God!

Here are some parts of worship and churches that are the same for many. Circle them in the puzzle. You will find them up, down, diagonal and across.

PRAISE
PARDON
SCRIPTURE
COMMUNION
MEN

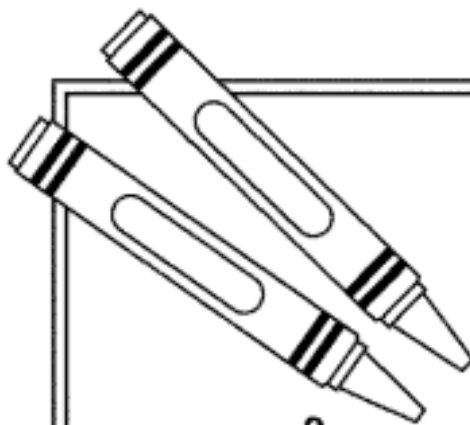
CONFESSION
OFFERING
SERMON
AFFIRMATION
CHILDREN

HYMNS
CANDLES
BIBLE
CROSS
GOD

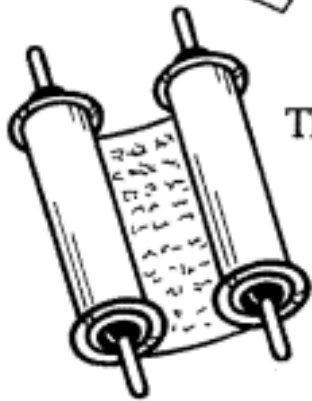
PRAYER
MUSIC
ALTAR
WOMEN

C O M M U N I O N A
O R P A R D O N C F
N A O M U S I C A F
F T F S W O M E N I
E L F A S B C D D R
S A E B I B L E L M
S C R I P T U R E A
I G I E H Y M N S T
O O N P R A Y E R I
N D G S E R M O N O
P R A I S E M E N N
C H I L D R E N J E





Just for **KIDS**



The Bible we use is translated into English from other languages. "Translate" the verse below using the code.



_____ Y _____
⊕ ⊖ ◆ ◆ ● ☆

_____ W _____
➤ † ▼ ▲ † ⊕ ▼

F _____ W _____
● ▲ † ☆ ● ☆ † ▼ □

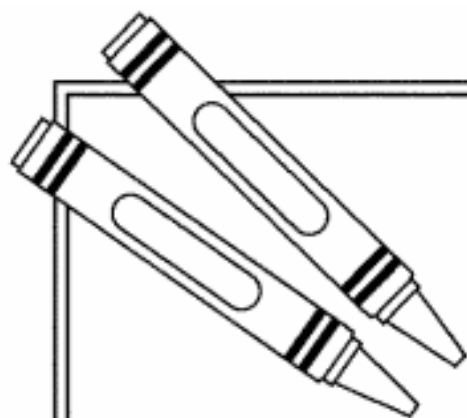
_____ _____
⊖ ▲ † ➤ † ▼ ▲ †

W _____
⊕ ▼ ☆ † ➔ ☆

U _____
▲ † † ▶ ☆ ➔ ⊖ ▲ † ● ▲ ☆

-Proverbs 3:13

Code	E = †	L = ■	R = ▶	
	G = ☆	M = □	S = ☆	
	A = ⊖	H = ⊕	N = ▲	SH = ♥
	B = ✕	I = ●	O = ▼	T = ➔
	D = †	K = ○	P = ◆	TH = ➤



Just for KIDS

Matthew 4:10

Find the words that fit these definitions. You may use a dictionary or check in a church bulletin or hymnal. Write the letters from the words on the lines below.

A song sung in church _____
1 2 3 4

Money given in church _____
5 6 7 8 9 10 11 12

"The Lord's _____"
13 14 15 16 17 18

What we find written in the Bible:
God's _____
19 20 21 22

Another word for Bible verses _____
23 24 25 26 27 28 29 30 31 32

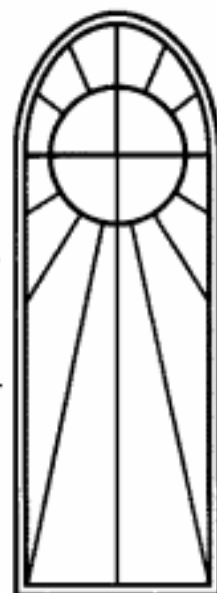
Warm feeling in your heart _____
33 34 35 36

" _____
19 5 9 23 1 10 13 28 1 8

33 5 9 22 2 5 29 9 12 5 22

15 4 22 23 8 9 35 17

5 4 33 2 1 10 3



Matthew 4:10b